



Manufacturers of High-Quality Farm Machinery

# *Parts Catalogue*

## *Slurry Pump*

### *Super 300*



#### **Hi-Spec Engineering Ltd.**

Station Rd, Bagenalstown, Co. Carlow

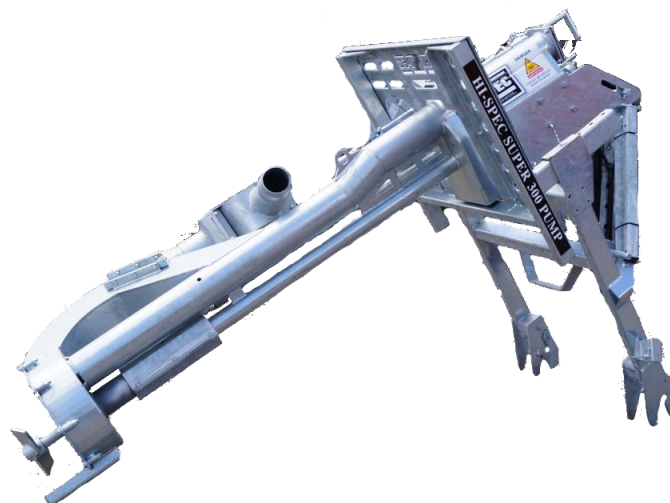
Tel: +353 (0) 59 -9721929 / 9721992

Fax: +353 (0) 59 -9721980

Website: [www.hispec.net](http://www.hispec.net)

E-mail: [sales@hispec.net](mailto:sales@hispec.net)

## Hi-Spec Slurry Pumps



### When ordering parts:

- Quote Machine Serial Number and Model.
- Quote the complete Part Number and Description.
- State the means by which you require delivery, whether by C.O.D post or delivery through our dealer network.
- Where reference is made to Left and Right, this should be understood to mean left or right when the machine is viewed from the rear.



### NOTE:

- The illustrations in this book are for identification purposes only.

- Hi-Spec reserves the right to make changes or improvements

at any time without incurring any obligation to make such changes on products sold previously.

### **Safety First:**

Use only genuine Hi-Spec spare parts for this machine. Use of spare parts not supplied or recommended by Hi-Spec could result in injury to the operator or damage to the machine, and invalidate the warranty.

illustrations in identification

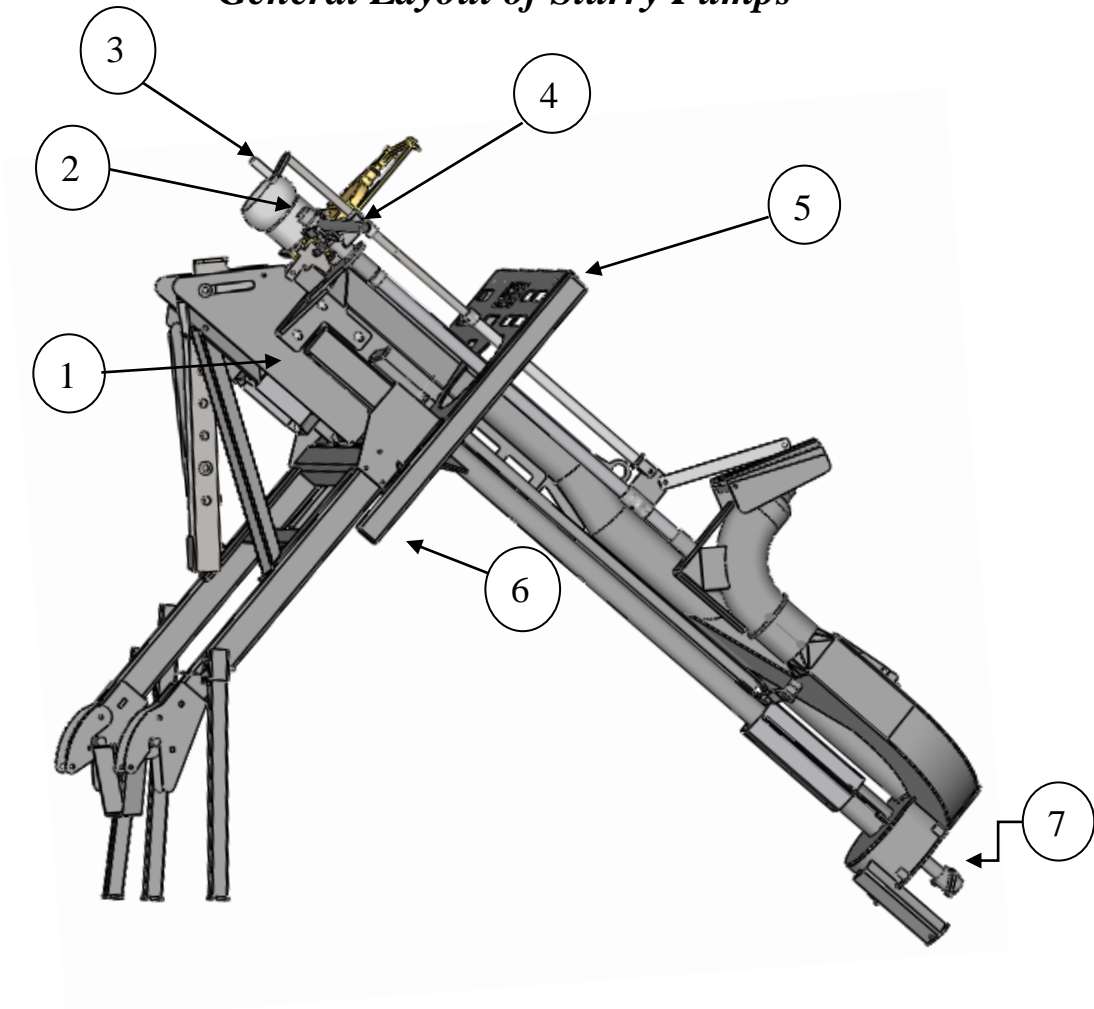
Engineering right to make improvements

## Table of contents

### Contents

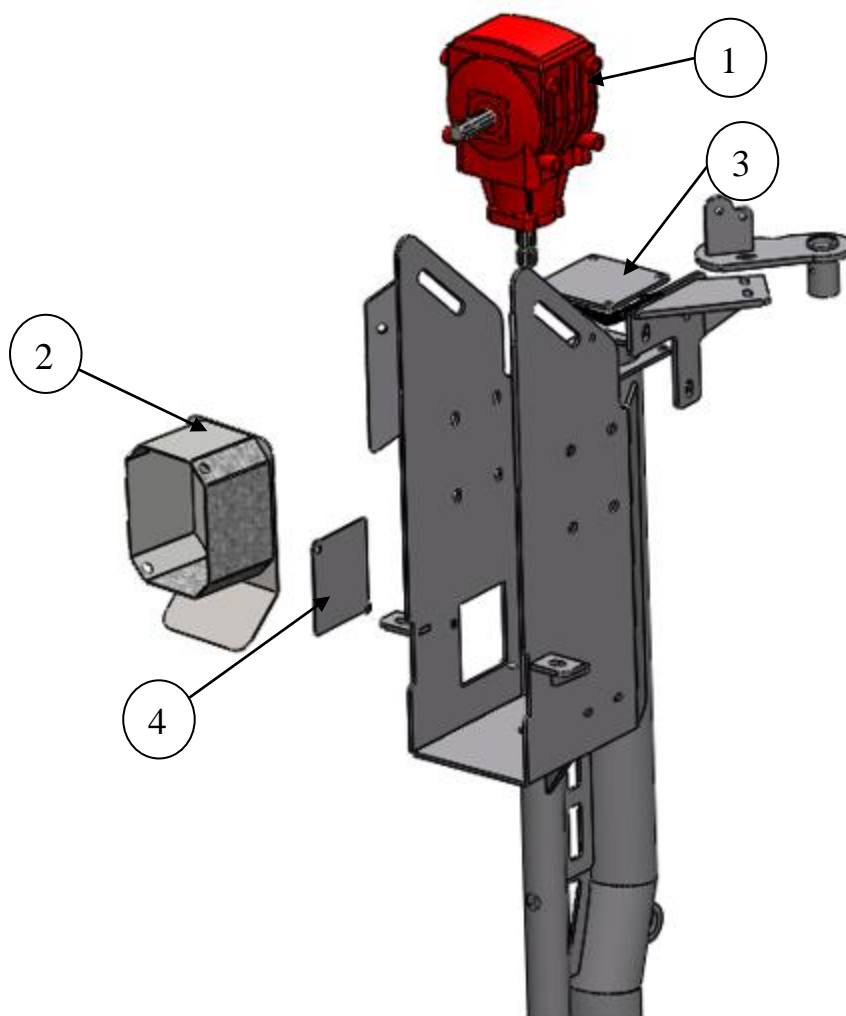
|                                          |                  |
|------------------------------------------|------------------|
| <b>General Layout of Slurry Pumps</b>    | <b><u>4</u></b>  |
| <b>Gearbox</b>                           | <b><u>4</u></b>  |
| <b>Top fill</b>                          | <b><u>6</u></b>  |
| <b>Spout &amp; Direction Control</b>     | <b><u>7</u></b>  |
| <b>Front frame and stands</b>            | <b><u>8</u></b>  |
| <b>Splash plate angle control handle</b> | <b><u>9</u></b>  |
| <b>Propeller</b>                         | <b><u>10</u></b> |
| <b>Safety frame</b>                      | <b><u>11</u></b> |
| <b>PTO Shafts</b>                        | <b><u>12</u></b> |

## General Layout of Slurry Pumps



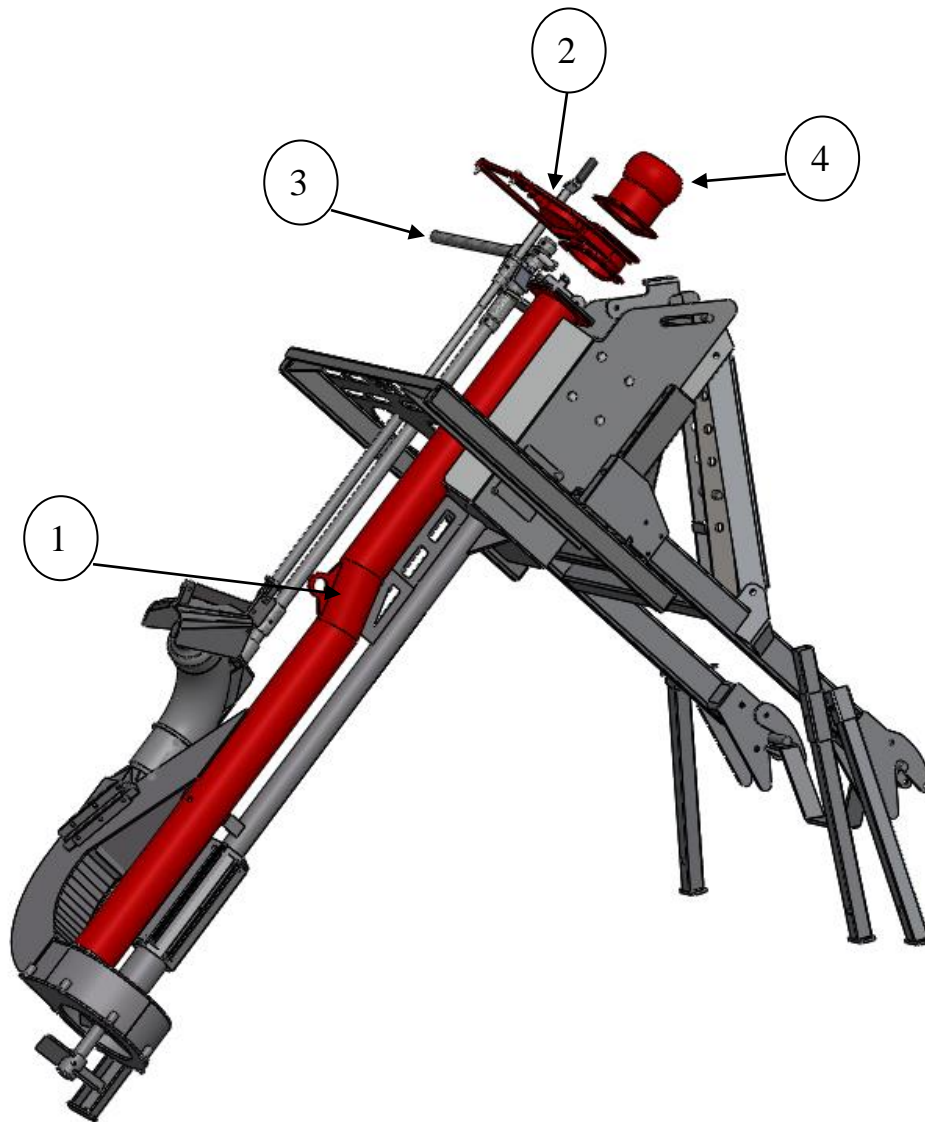
| Reference | Description                |
|-----------|----------------------------|
| 1         | Gearbox                    |
| 2         | Top fill ( Optional)       |
| 3         | Splash plate angle control |
| 4         | Spout direction controls   |
| 5         | Safety Grid                |
| 6         | Front frame and stands     |
| 7         | Propeller                  |

## Gearbox



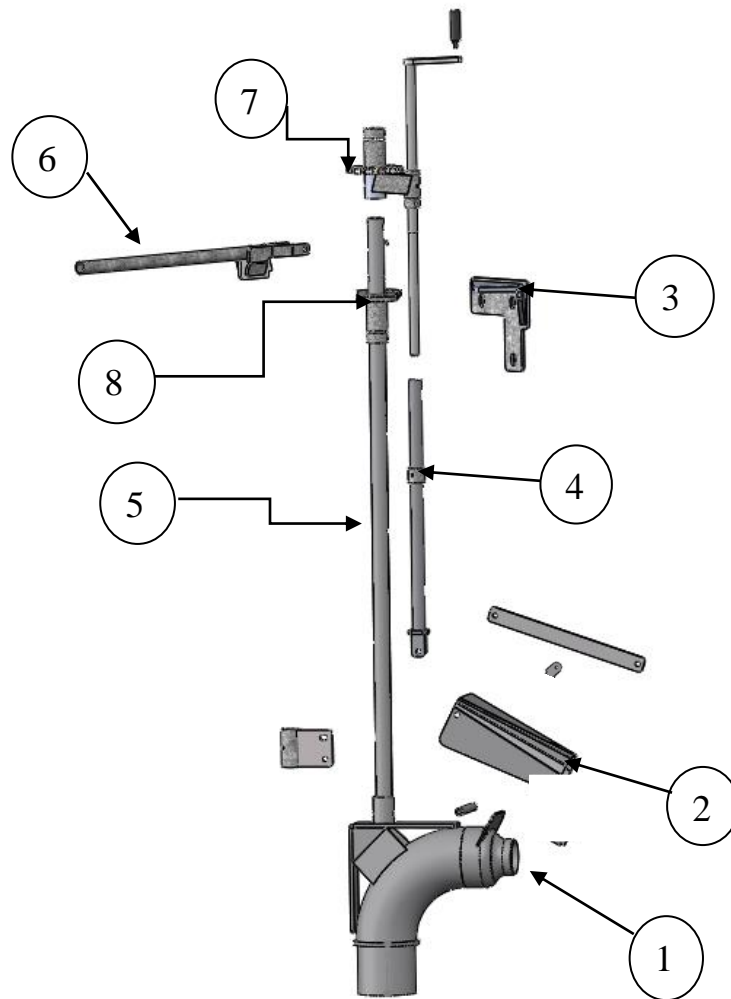
| Part No. | Description                     |
|----------|---------------------------------|
| 1        | SP/T22A      Gearbox            |
| 2        | SP/0008      PTO Guard          |
| 3        | SP/0019      Blank off          |
| 4        | Grease point / inspection cover |

## Top fill



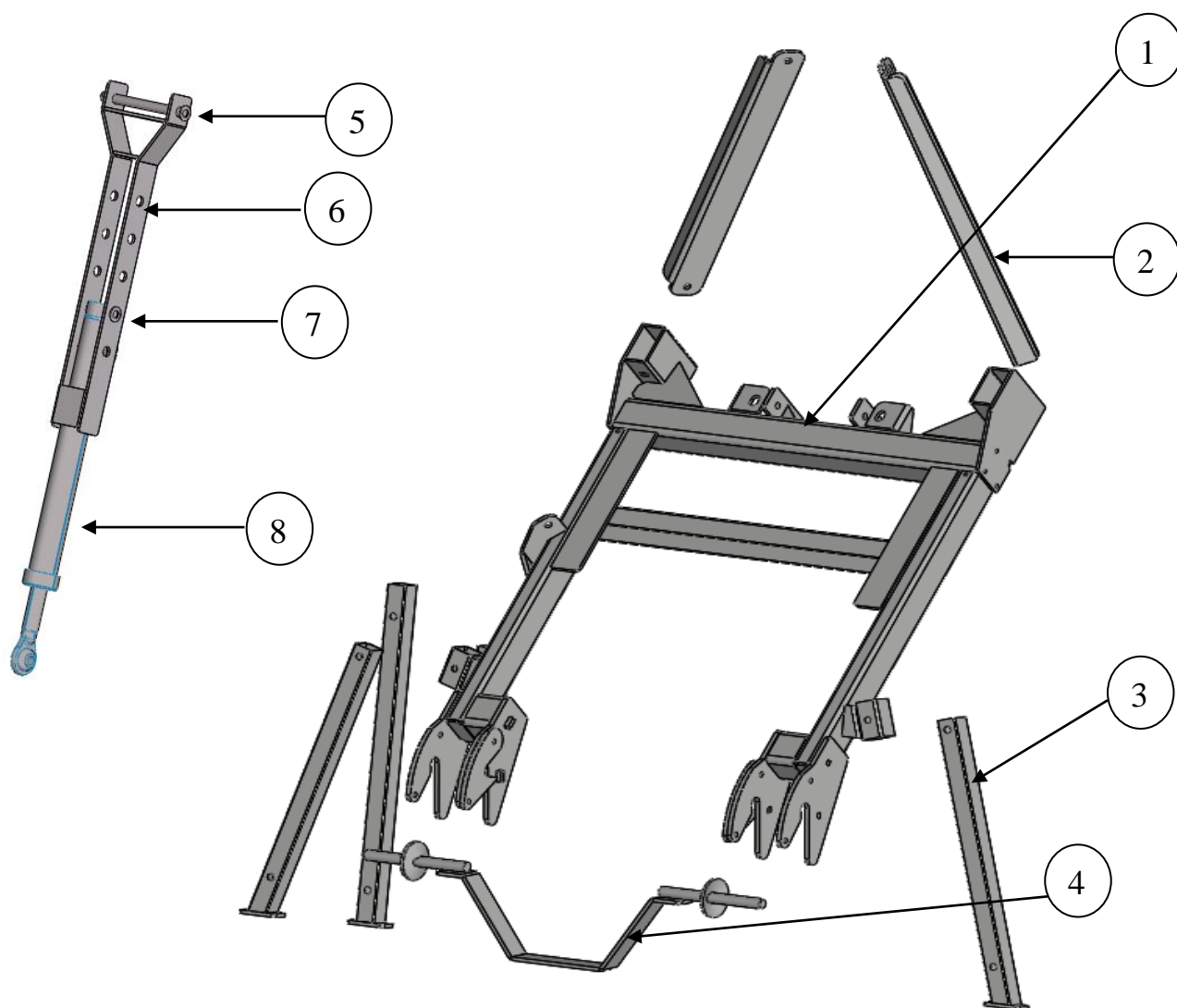
| Part No. | Description                         |
|----------|-------------------------------------|
| <b>1</b> | SP/0003 Complete kit                |
| <b>2</b> | VT/901 Double flanged gate valve    |
| <b>3</b> | VT/318 6" Light duty o-ring         |
| <b>3</b> | VT/1100 Valve handle<br>Valve lever |
| <b>4</b> | VT/1080 6" Male coupling            |

## Spout & Direction Control



|   | Part No. | Description                    |
|---|----------|--------------------------------|
| 1 | SP/0006  | nozzle                         |
| 2 | SP/0022  | Splash plate                   |
| 3 | S/0015   | Adjuster arm bracket           |
| 4 | SP/0021  | Splash plate adjustment handle |
| 5 | SP/0017  | Adjustment arm                 |
| 6 | SP/0004  | Adjustment handle              |
| 7 | SP/0014  | Adjustment star                |
| 8 | SP/0016  | Locking star                   |

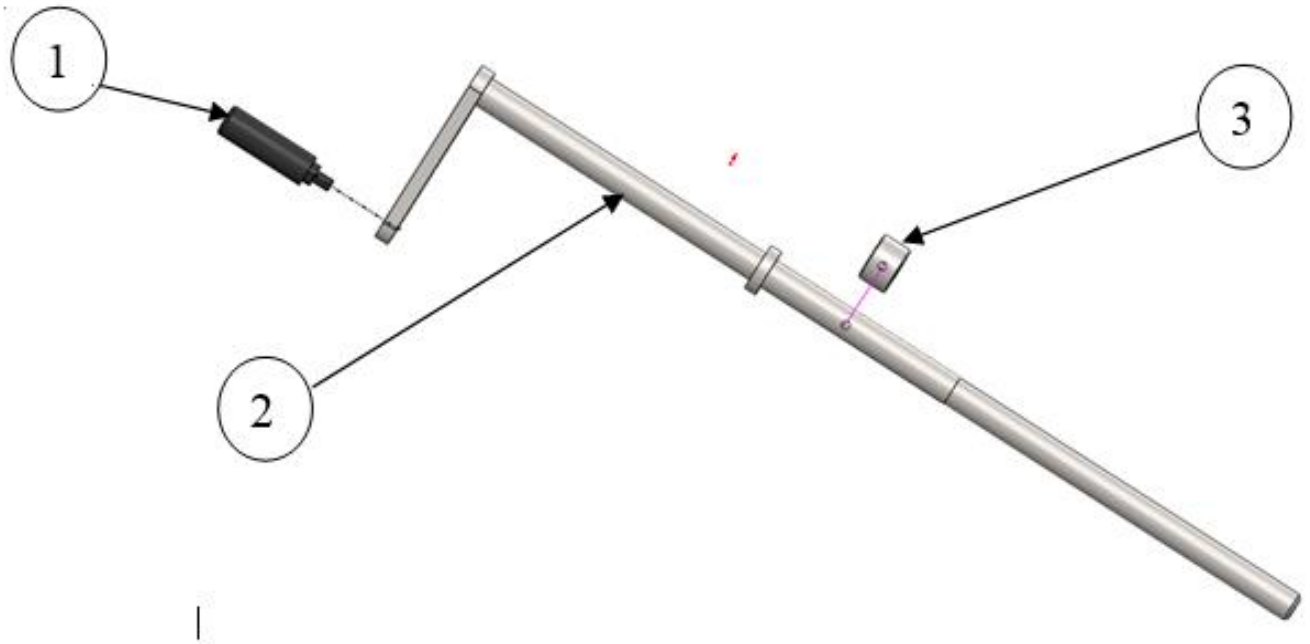
## Front frame and stands



|   | Part No. | Description                       |
|---|----------|-----------------------------------|
| 1 | SP/0025  | Main Frame                        |
| 2 |          | Front Frame Supports              |
| 3 | SP/007   | Legs                              |
| 4 | SP/5051  | Quick Attach Bar                  |
| 5 |          | Top Link Hinge Point              |
| 6 |          | Top Link Length Adjustment Points |
| 7 |          | Pin                               |
| 8 | SP/002   | Hydraulic Top Link                |

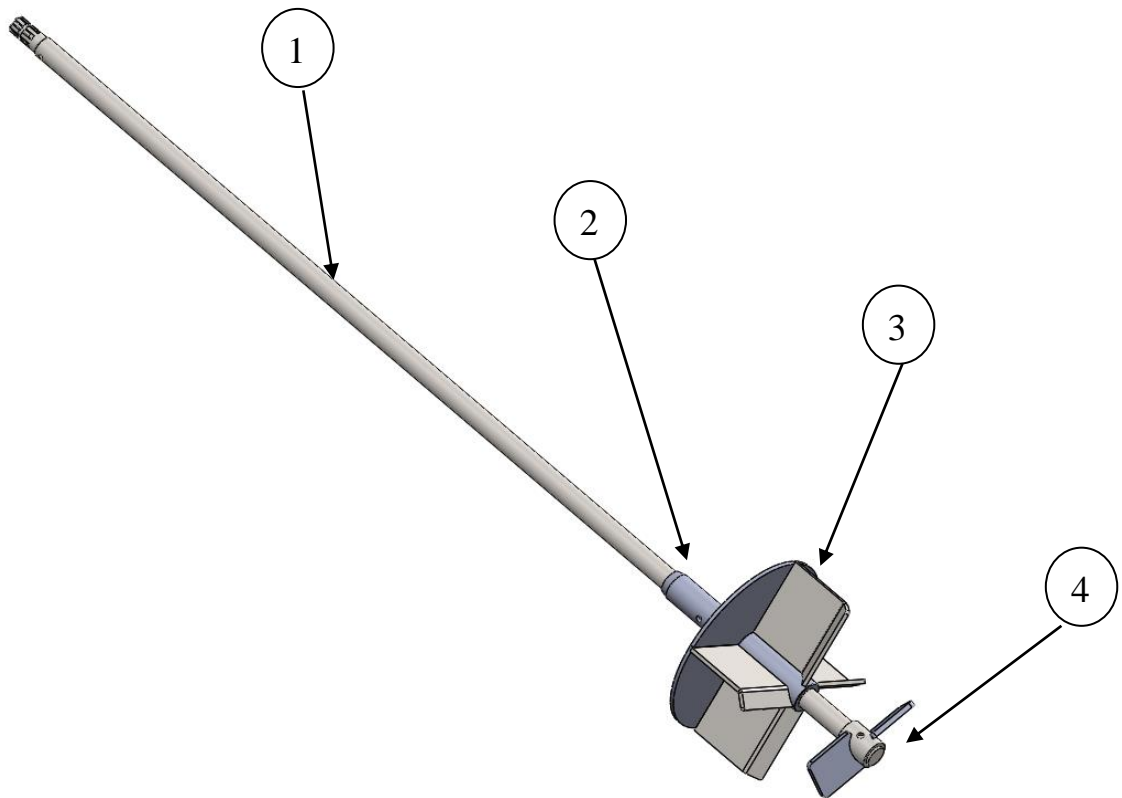


## *Splash plate angle control handle*



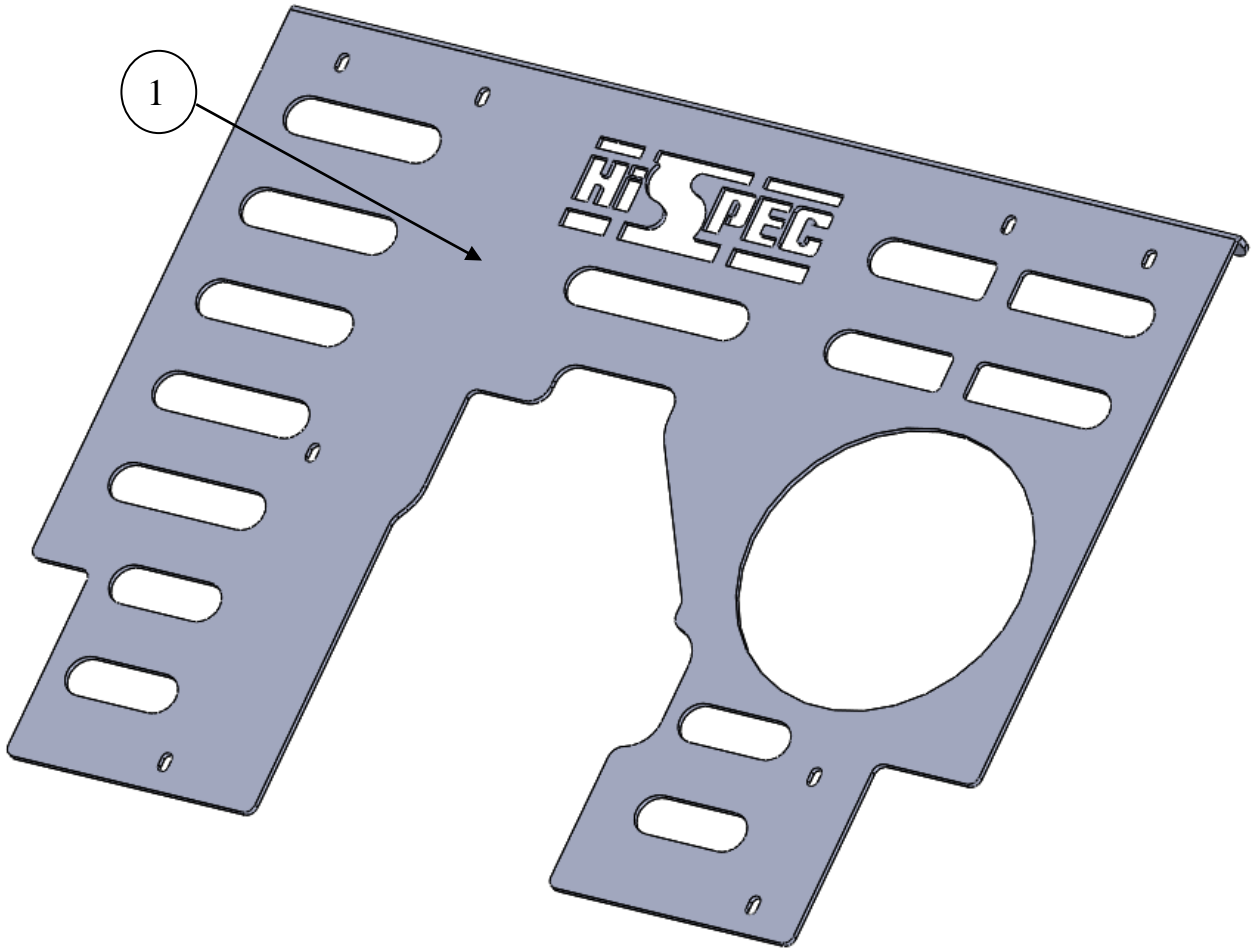
| <i>Part No.</i> | <i>Description</i> |
|-----------------|--------------------|
| <b>1</b>        | Threaded Handle    |
| <b>2</b>        | Shaft (one piece)  |
| <b>3</b>        | Collar             |

# Propeller



| Part No. | Description   |
|----------|---------------|
| 1        | Splined shaft |
| 2        | Bearing bush  |
| 3        | Propeller fin |
| 4        | Whisk         |

*Safety frame*



| Part No. | Description |
|----------|-------------|
| 1        | Safety Grid |

## PTO Shafts

| Part No. | Description            |
|----------|------------------------|
| SP/003   | Complete PTO shaft     |
| 1        | Push pin               |
| 2        | Shearpin hub (Splined) |
| 3        | Shearpin yoke hub      |
| 4        | Shearbolt              |
| 5        | Cross piece            |
| 6        | Inner yoke             |
| 7        | Roll pin               |
| 8        | Tube Male section      |
| 9        | Tube Female section    |
| 10       | Outer yoke             |
| 11       | End yoke               |
| 14       | Covers for shaft       |
| 15       | Retaining collar       |
| 16       | Retaining collar       |

**Note: - Only use shear bolts supplied by Hi-Spec Engineering Ltd.**

