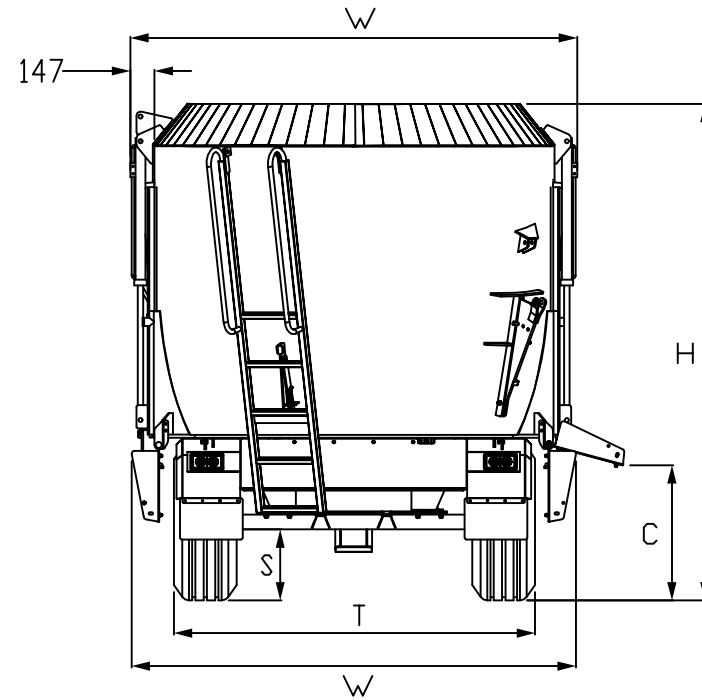
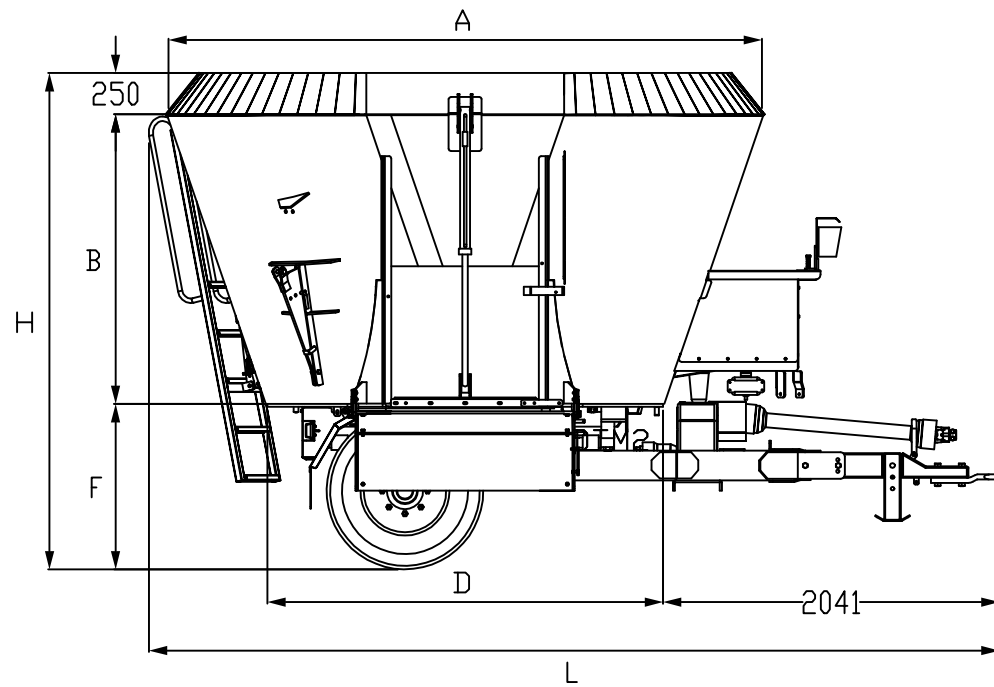
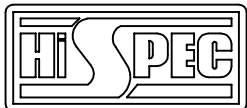


As we are continually upgrading our products Hispec deserves the right to change specifications without notice



Model	Tyres	H	W	T	L	F	S	B	C	D	A	H"	W"
		Height	Width	W. Track	Length	Floor	Axle	Body Ht.	Chute	Diameter	Body Lt.	Height "	Width "
V24 Twin	235X75-R17.5	2960	2750	2400	7532	905	355	1,800	800	2400	6050	9' 9"	8' 5"
V20 Twin	235X75-R17.5	2760	2750	2400	7332	905	355	1600	800	2400	5850	9' 1"	8' 5"
V14N Twin	235X75-R17.5	2640	2350	1940	6520	830	355	1,570	800	2,000	5070	8' 8"	8'
V16N Twin	235X75-R17.5	2915	2350	1940	6570	830	355	1800	800	2,000	5210	9' 8"	8'
VTF 16	40X14.5-19	3,050	3,150	2,540	5,600	1,000	430	1,800	800	2,800	4,000	10' 0"	10' 4"
VTF 14	40X14.5-19	2,850	3,150	2,540	5,550	1,000	430	1,600	800	2,800	3,900	9' 2"	10' 4"
VTF 12	40X14.5-19	3,000	2,750	2,190	5,160	1,000	430	1,750	800	2,400	3,600	9' 10"	9' 0"
VTF 10	40X14.5-19	2,850	2,750	2,190	5,110	1,000	430	1,600	800	2,400	3,500	9' 2"	9' 0"



Hi-Spec Engineering. Ltd.
 Station Rd., Bagenalstown,
 Co Carlow, Ireland.
 Tel: -059 9721929 - Fax: -059 9721980

Tyres :- 235/75 R17.5 Reduce Height By 160mm or 6.3" (Applies to Single Auger Machines only)

Tyres :- 30x11.5-14.5 Reduce Height By 205mm or 8" (Applies to Single Auger Machines only)

Note. Without side doors overall width can be reduced by 150mm per side - total 300mm