



*Manufacturers of Agricultural Machinery since 1988*



## Hi-Spec Side Spreader

### User Manual

Models: *SS 800, SS 1000*

(Valid from serial number 3349- May 2018 )



Introduction

Product Information

Designated Use of Machine

Rear View

Side View

Dimensions

Tyres

Safety information

Follow all safety instructions

Protective clothing

Stay clear of rotating elements

Operating the machine

General safety warnings

Getting Started

- Tractor requirements
- Connecting to tractor
- Fitting PTO shaft
- Emergency break away handle
- Disengaging the Emergency breakaway handbrake
- Before travelling on any public roadway
- Road transportation
- Operating Instructions
- Loading Instructions



## Maintenance

- First 5 working hours
- Every week
- Every year
- Correct Maintenance and Inspection Procedures
- Greasing Points
- Daily Maintenance
- Weekly Maintenance

## Wheel removal/refitting

## Trouble shooting

## Sales and Service

## Warranty

## Conditions of Sale

## Registration Forms

## Declaration of conformity

# 1

---

## Introduction

---

Congratulations on Purchasing a Hi-Spec Side Spreader.

Please Read the Following Manual before Using Machine

The way you care for and maintain this machine will decide its future performance. This manual has been carefully written to help you maintain the condition of your machine. Read this manual carefully to learn how to operate and service your machine correctly. Failure to do so could result in personal injury or machine damage.

Hi-Spec Side Spreaders have been designed and manufactured in compliance with the following directives and standards;

*Machinery Directive 2006/42/EEC*

Harmonised standards;

*EN ISO 12100-1:2003, Safety of machinery Part 1: Basic terminology, methodology*

*EN ISO 12100-2:2003, Safety of machinery Part 2: Technical principles*

*EN ISO 4254-1:2005, Agricultural machinery -- Safety -- Part 1: General requirements*

*EN ISO 14121-1:2007, Safety of Machinery – Principle of Risk Assessment*

This manual should be kept within the vicinity of the machine at all times and should be considered a permanent part of your machine. It should remain with the machine should you decide to sell it.

Warranty is provided as a part of Hi-Spec Engineering's support program for customers who operate and maintain this machine and equipment as described in this manual. This warranty provides you the assurance that Hi-Spec Engineering will back its machines should defects appear within the warranty period. If the machine is abused, or modified to change its performance beyond the original factory specifications, the warranty will become void and improvements may be denied.

All information, illustrations and specifications in this manual are based on the latest product information available at the time of publication.

It is the policy of Hi-Spec Engineering to improve its products and designs whenever it is practical and possible to do so. We reserve the right to make changes or improvements at any time without incurring any obligation to make such changes on products sold previously

Thank You for Choosing Hi-Spec Engineering

## 2

---

# Product Information

---

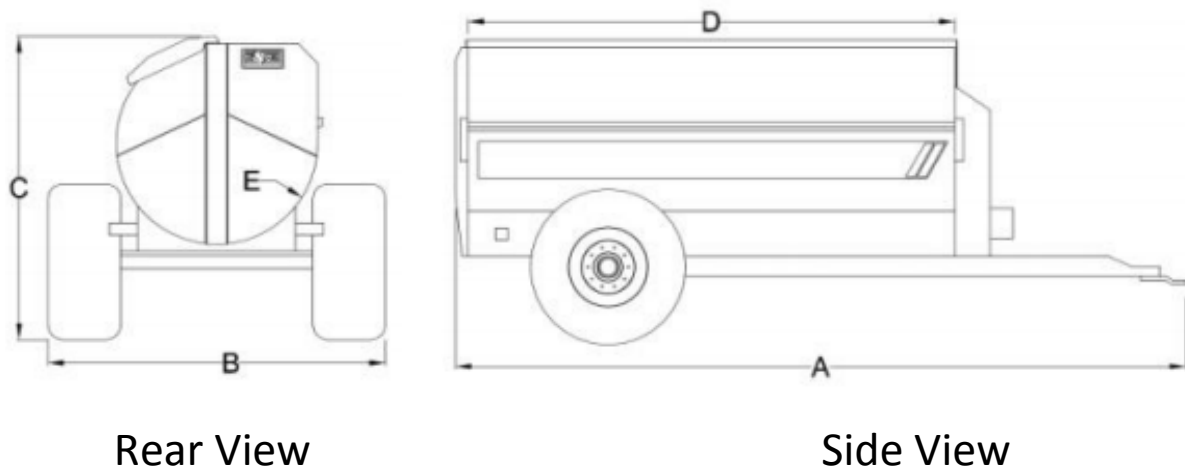
It is of the utmost importance for the safety of the operator and for others, that the operator pays attention to all warnings and instructions given in this manual. In particular all safety devices, decals, guards and controls must be in place and in fully functioning condition. Never try to clear any malfunction when the tractor is switched on or while the machine is running. Keep the area around the machine free of all persons and animals at all times, while the machine is in operation. This manual must be read and fully understood by anyone who will operate the machine.

## Designated Use of Machine

The Hi-Spec Side Spreader is exclusively designed for use of transporting and spreading agricultural manure.

Hi-Spec Engineering will not be held responsible for any loss or damage resulting from machine applications other than those specified above. Any other use the machine may be put to is entirely at the owners/operators risk. The Designated use of a Hi-Spec Side Spreader includes that the operating, maintenance and repair instructions given by the manufacturer will be strictly fulfilled. Designated use means operating the Side Spreader is exclusively for persons familiar with the machine and fully aware of the associated risks involved in operating it.

By any alteration of safety equipment, the Declaration of Conformity, as well as the CE sign on machine loses its validity



## Dimensions

		800	1000
<b>Loading Height</b>		1500mm / 4'11"	1680mm / 5'6"
<b>Overall Length</b>	A	4725mm / 15'6"	5430mm / 17'10"
<b>Overall Width</b>	B	2500mm / 8'3"	2550mm / 8'5"
<b>Overall Height</b>	C	2490mm / 8'2"	2540mm / 8'4"
<b>Body Length</b>	D	3000mm / 9'10"	3625mm / 11'10"
<b>Diameter</b>	E	1525mm / 5'	1525mm / 5'
<b>Rotor Speed</b>		229 rpm	229 rpm
<b>Unladen Weight</b>		1700kg	2180kg
<b>Lid Thickness</b>		3mm	3mm
<b>Body Thickness</b>		5mm	5mm

## Tyres

### Side Spreader Range

Product	Wheels	Capacity
800 SS	15 x 22.5	8 yards
1000 SS	550/60 - 22.5 BKT FL648	10 yards



15 x 22.5



550/60 - 22.5 BKT FL648



21.3 x 24

385 (15") 1080 (43")

550 (22") 1240 (49")

540 (21") 1400 (55")

Tyre choice is critical for your Sidespreader to avoid unnecessary damage to soil. The most common choice of tyre for our SS range is the 550/60 - 22.5 (flotation pattern) as the weight of the spreader is spread over a greater area. If sloped ground is an issue around your farm, then the 21.3 x 24 tyres will provide improved grip on these sloped surfaces.

### 800SS

in lieu of 15 x 22.5  
550/60 - 22.5 BKT FL648  
21.3 x 24

### 1000SS

in lieu of 550/60 - 22.5 BKT FL648  
21.3 x 24

Pressure limits can be found on the tyre manufactures website.

## 3

---

# Safety information

---

Follow all safety precautions and practice safe operation of machinery, at all times.

### Warning, caution, information & environmental messages:

When reading this manual, pay particular attention when you see the symbols below i.e.

Warning, Caution, Information & Environmental.

They will be used at various points in this manual and may also appear on safety decals on the machine. The purpose of these messages is to ensure that the most important information stands out from the rest of the text.



**WARNING:** This symbol indicates a potentially hazardous situation, that if not avoided could result in machinery damage, personal injury or even death.



**CAUTION:** This symbol indicates a potentially hazardous situation, that if not avoided could result in machinery damage or personal injury.



**INFORMATION:** This symbol is used to identify special instructions or procedures which, if not followed strictly, could result in machinery damage.



**ENVIRONMENTAL:** This symbol reminds you to respect the environment in relation to the correct disposal of waste material



## Follow all safety instructions



Using this manual, read all safety instructions and messages, and be aware of the meanings of all safety decals. If safety decals are damaged or missing due to wear and tear or component replacement, ensure that they are replaced.

## Protective clothing



Always wear clothing and safety equipment that is fit for the job at hand, never wear loose clothing. In the event of loud noises, wear suitable protective hearing devices. Use of mobile phones or radio/music headphones are not recommended while operating machinery as these impair the operator's attention.

## Stay clear of rotating elements



Serious injury or death can result from entanglement of clothing or body parts with PTO shafts, drivelines and other rotating and moving components. Keep all guards in place at all times, only wear close fitting clothing and ensure that tractor engine has stopped, key removed and that PTO has stopped turning before carrying out any adjustments, connections or cleaning of PTO driven equipment.

---

## Operating the machine

---



In order to avoid serious injury or even death by being pulled into the machine:

When getting out of the tractor always disengage the PTO, apply the handbrake, shut the tractor engine off and remove the key from the ignition. Stand well clear of the spreader and tractor when the machine is operating

### General safety warnings



Read and understand this operator manual before using the machine.

If any of the instructions appear unclear do not hesitate to contact your Hi-spec dealer. Only competent persons who have read and fully understood this manual are qualified to operate this machine. The owner of this machine is obliged, by law, to ensure that every operator understands all of the functions, controls, working processes and safety warnings, before operating the machine.

## 5

---

# Getting Started

---

### Tractor requirements:

#### Horsepower:

The minimum recommended size of tractor for operating the 800 model comfortably on flat ground would be 75 horse power.

The minimum recommended size of tractor for operating the 1000 model comfortably on flat ground would be 90 horse power.

On hilly ground or difficult conditions, an additional 10 to 15 hp is advisable.

#### Hydraulics:

A lift pump with an output of at least 55-70 l/min.

One single acting spool valve

## Connecting to tractor

The drawbar is to be attached so that the spreader is horizontal to the ground. Machines are set up for hitching to the tractor drawbar as shown below. Once the tractor is attached to the drawbar, attach the PTO shaft. Depending on the country of use a safety chain may also be required. Detach in reverse order of attachment.

### Step by step:

1. Connect brake connection to the tractor.
2. Connect tail light plug to the tractor.
3. Adjust the spreader drawbar to ensure that the spreader is level or high to the front when attached to the tractor. Adjustment options are shown in Fig. 1
4. Connect PTO shaft to tractor making sure that shaft guard chains are anchored. Please ensure the PTO is the correct length (As detailed in 'Fitting PTO shaft')

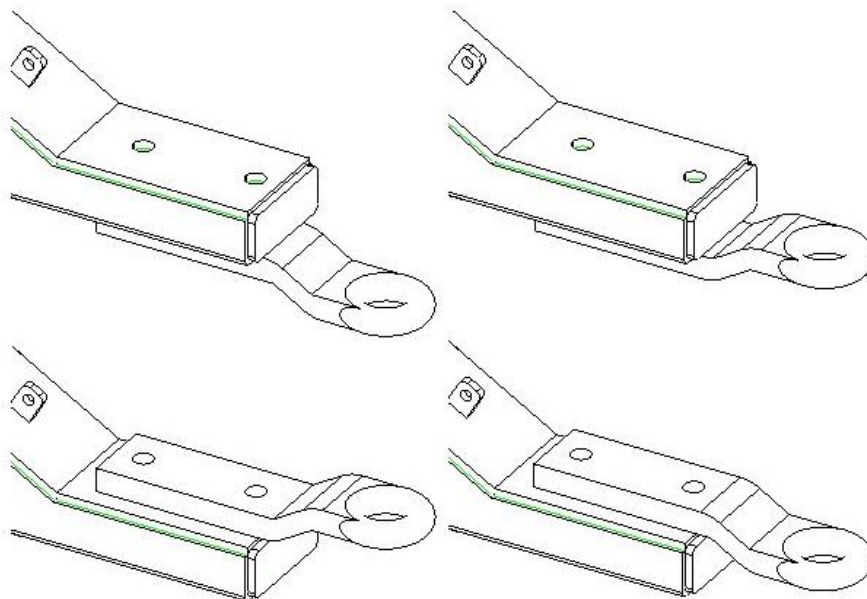
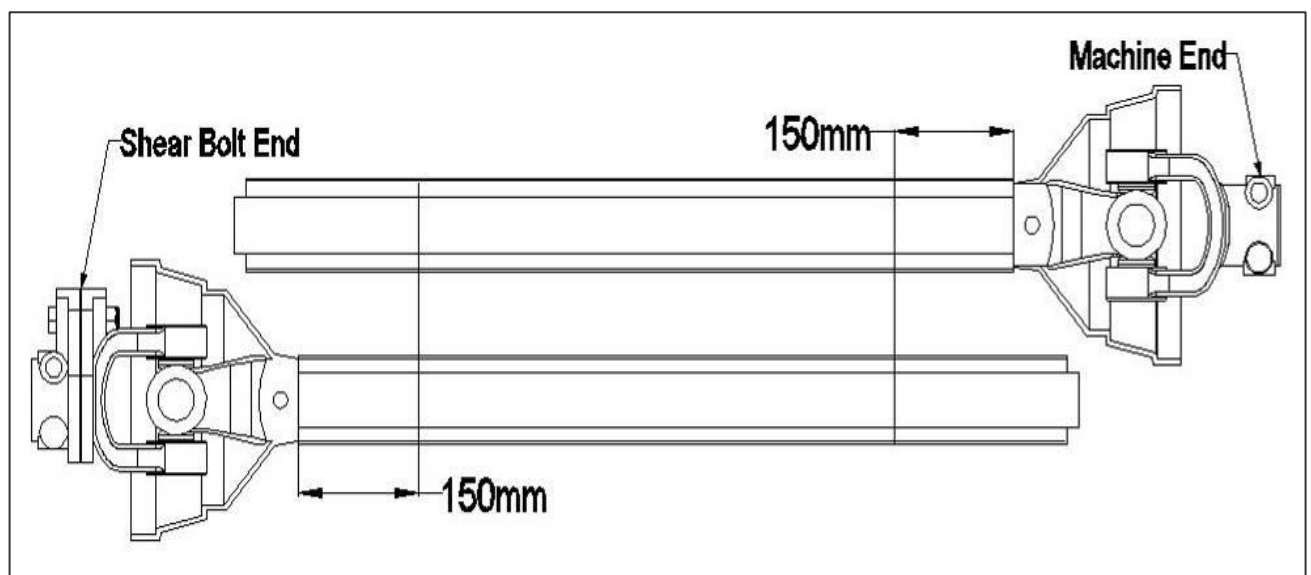


Fig. 1

## Fitting PTO shaft

All PTO shaft grease points are to be serviced at 60 hour intervals.

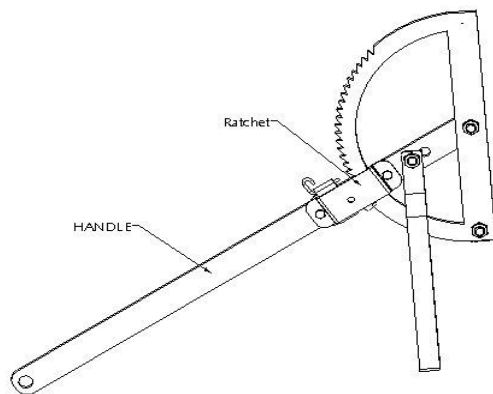
- Turn the tractor to full lock to either the left or right to get the shortest point of the PTO shaft.
- Slide the PTO apart and attach one half to the tractor and the other half to the machine.
- Lift the two parts of the PTO shaft up so that they are level with each other.
- Mark 150 mm (6") back from each other as shown in the diagram below.
- Cut off the excess profile.



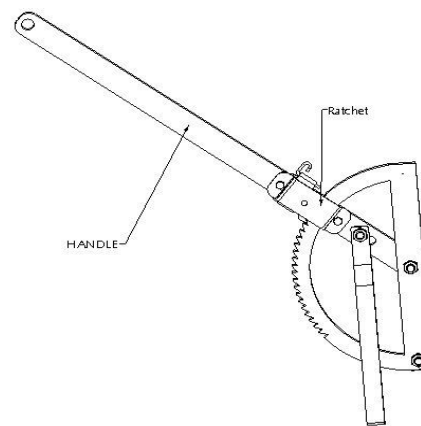
## Emergency break away handle

The emergency breakaway handbrake should be connected to the tractor every time the Side Spreader is been used. It should be done using the wire rope provided. The wire rope should be attached to a solid part of the tractor like the top link pin and not to a panel on the tractor.

The wire rope should be tight enough so it will work effectively if the Side Spreader becoming detached from the tractor but loose enough that the handbrake is not been applied during normal operation. Should the hitch ever become detached from the tractor, this rope will apply the brakes on the spreader.



Handbrake in the off position:



Handbrake in the on position:

## Disengaging the Emergency breakaway handbrake

It is disengaged by following the steps below:

- Make sure the clip in front of the ratchet is facing forward or turned away from the gearbox on the feeder.
- If the clip is turned towards the gearbox the ratchet mechanism will not release.
- Push the handle towards the feeder so the ratchet becomes tight against the teeth that hold it in place.
- Pull the handle away from the feeder so the ratchet will disconnect itself from the teeth.
- Push the handle back to it original off position.

**WARNING:** It is important to check that the handbrake be fully released when the spreader is in use. If the brake is left half applied it will cause damage to the brakes on the spreader.

## 6

---

### Before travelling on any public roadway

---

The following should be inspected every time, before travelling on a public road:

- Ensure that the tyres are set to the correct pressure as per safety decals and according to the specifications, as outlined in Section “Tyre specifications” on page 7.
- The machine must be safely cleared of all loose forage. To carry this out, firstly turn off the tractor and fully isolate the machine by disconnecting all of the connections to the tractor unit.
- The PTO shaft must be fixed safely to the tractor PTO stub shaft.
- The lighting system of the machine must be connected to the tractor and must be in a fully functioning condition.
- The hydraulic supply must be turned off and protected from accidental activation by disconnecting the hydraulic feed line. Support all loose lines in a safe manner.
- Attention must be paid to the maximum travel speed-limit (40 km/hr) printed on the chassis plate, on the left hand side of the machine. Other speed limits that may be printed, on the drawbar plate or axle plate, for example are not relevant
- **WARNING:** Complete a full inspection before travelling on the road
- Ensure that a full inspection is completed every time before attempting to go on to a public roadway, always think and practice safety!
- The brake system of the machine must be connected to the tractor.
- Ensure that all the national road traffic regulations relating to the country are fulfilled i.e. the use of safety chains may be mandatory in certain countries.

## 7

---

### Road transportation

---

- Clear the machine of loose materials.
- Before bringing your machine onto a public road, it is important to check thoroughly that the machine is following all of the appropriate guidelines.
- Hi-Spec Engineering strongly recommends extreme care to be taken by the operator when travelling on rough roads with a loaded Machine.
- The operator must ensure that any other regulations regarding road use are adhered to
- Extreme care must be taken when negotiating acute bends with high speed tractors



**WARNING: Complete a full inspection before travelling on the road**

Ensure that a full inspection is completed every time before attempting to go on to a public roadway, always think and practice safety!



## 8

---

# Operating Instructions

---

1. Disengage the PTO before greasing or making and adjustments
2. Disengage PTO before turning
3. Engage PTO slowly to wrap chains around rotor when starting to spread
4. Rate of spread is controlled by the PTO speed and forward ground movement
5. In liquid manure, it may be necessary to tie up alternate sets of chains
6. When working with low HP tractors, the loose flail plates may be removed



---

## Loading Instructions

---

1. Make sure the spreader is parked on level ground and that the handbrake is applied
2. For liquid manure, fill to the lip of the spreader
3. For solids, do not overload the spreader, if the spreader is overloaded the rotor will turn but may not be able to spread the material



## 10

---

# Maintenance

---

To maintain the spreader in a good working order it is necessary to carry out preventative maintenance regularly. The following intervals should be adhered to, in order to ensure a long and efficient life for the machine and maximum safety of personnel. They assume constant working during the spreading season. The following section gives details of how this may be carried out and how often it will be required.

### First 5 working hours

- Check all nuts and bolts for tightness and tighten, if necessary
- Check and correct, if necessary, the air pressure in the tyres
- Inspect all other chains.

### Every week

- Grease PTO shaft every 60 working hours (see Section “PTO Shaft adjustment & maintenance”)
- Check for correct air pressure in the tyres
- Grease bearings

### Every year

- At the end of the spreading season the machine should be washed and cleaned.
- Any damaged paintwork should be touched up.
- Any maintenance or repairs should be carried out at this stage.









**WARNING: Wear proper safety equipment & follow all instructions**

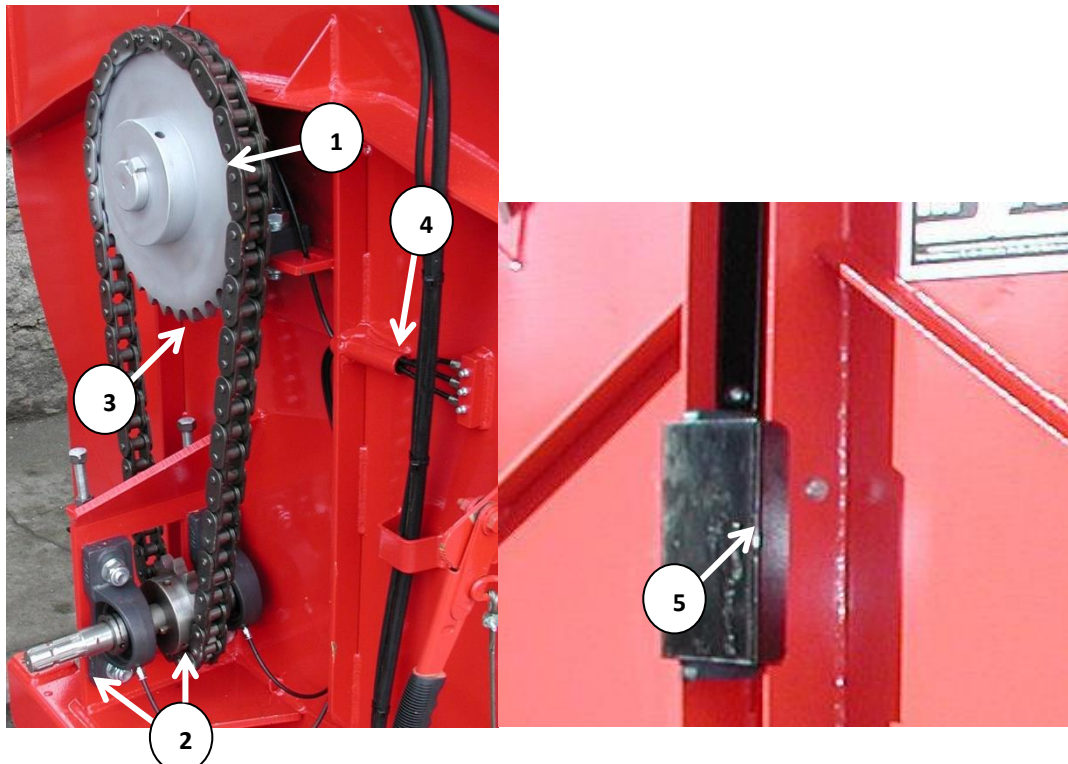
Ensure to wear proper safety equipment at all times when working with the machine, such as gloves, eye protection, etc. and follow all safety decals and instructions

## Correct Maintenance and Inspection Procedures

- Learn how to service your machine correctly.
- Follow the correct maintenance and inspection procedures shown in this manual.
- Inspect the machine daily before starting.
- Walk around the machine checking general appearance.
- Check for loose or missing parts.
- Always disengage the PTO and stop the tractor engine before greasing and making any adjustments.
- Never operate the machine without safety guards in position.

	During operation, some parts of the hydraulic system can become hot; allow the machine to cool down before beginning inspection or maintenance procedures.
	Damage, including damage caused by insufficient greasing, is not covered by the warranty.
	Installing, doing periodical maintenance and performing repairs may only be done by technically skilled person unless otherwise indicated.
	When repairing, maintaining and cleaning always shut down the motor, remove ignition key and carefully observe the instructions in the manual.
	Always use the correct tools and wear gloves when performing any maintenance. If working on a hoisted machine always ensure decent support.
	If there is a problem with the machine contact your local Hi-Spec Dealer or Hi-Spec Engineering Ltd directly.

### Greasing Points



The image above shows a side spreader with central greasing point (no. 4)

(optional on SS800, standard on SS100 )

Nos. 1 and 2 do not require greasing on machine fitted with a central greasing point

No. 3 does not require oiling on machines fitted with an auto oiler.

	Description	Grease	Operating hours
1	Front Rotor Bearing	Solid	8
2	Input Shaft Bearings	Solid	8
3	Main Drive Chain	(universal tractor oil)	25
4	Central Greasing Point (optional)	Solid	8
5	Rear Rotor Bearing	Solid	8

This symbol is found on each greasing point on the machine.





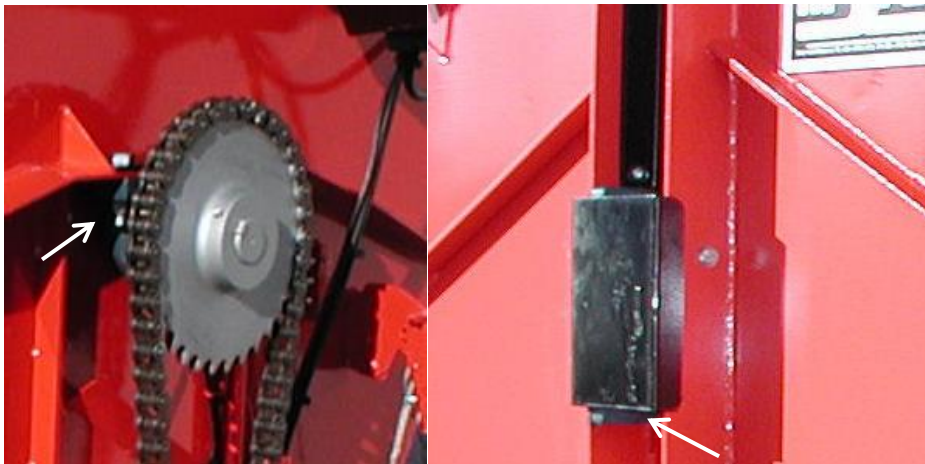


**ENVIRONMENT: Health and safety rules re. environmental damage**

It is vitally important to observe health and safety rules in order to avoid unnecessary environmental damage or danger to anybody near the machine. This especially applies to the responsible disposal of oil. Never spill pollutants (oil, grease, filters, etc.) on the ground, never pour them down the drain and never discard them where they can pollute the environment. Always take waste materials to a recycling centre.

## Daily Maintenance

1. Grease bearings on the rotor tube



2. Grease universal joints and sliding tubes on the PTO shaft
3. Check rotor and tighten all bolts and replace all damaged or missing chains or plates
4. Check tightness of wheel nuts, Wheel nuts should be tightened diagonally using a torque wrench - Standard 510 Nm

## Weekly Maintenance

1. Check studs on the rotor tube
2. Grease drive chain and sprockets
3. Oil hinges on lids
4. Check free play on drive chain and adjust if necessary

NOTE: Ensure sprockets are in alignment

## Wheel removal/refitting

Due to the size and weight of trailing agricultural machines special precautions must be adhered to when removing or replacing a tyre and wheel assembly. It is strongly advised that if a tyre is punctured or damaged any repair work is carried out by a skilled professional tyre fitter.

It is advised that before any work is carried out;

- If the machine is a hazard on a public road that suitable warning is provided to other road users;
- The machine is emptied and moved to a level area with good solid ground;
- The machine wheels are chocked and it is hitched to a tractor with its parking brake effectively engaged;
- A jacking / lifting / supporting position is chosen to maintain maximum machine stability;
- The load at the jacking / lifting point is known;
- The jacking / lifting equipment has sufficient lift capacity and is adequately maintained for the task;
- Ground conditions at the jacking point can withstand the loading;
- The hydraulics of any Forklift Truck / Telescopic Handler / etc., deployed are not solely relied upon while working in the danger zone;
- An adequately rated axle stand or other prop is positioned following the same safety procedure as for choosing the jacking point;
- There is no possibility of slippage between the safety prop (axle stand or other adequate strength support) and the machine;
- As far as possible those involved in the task stay clear of the danger zone (crush area if the machine were to collapse off its temporary support);
- Where possible, mechanical aids are used to lift / position wheels;
- High visibility clothing is worn where appropriate and where possible the work is carried out away from live traffic;
- Please consult your local Hi-Spec dealer or contact Hi-Spec Engineering Ltd directly if there are any queries.

---

## Trouble shooting

---

### Greaser not working

Symptom	-Machine not using grease	- Machine not using grease
Reason	-Air locked	-Blockage in the system
Solution	-Bleed the cartridge by unscrewing it 2-3 turns	-Contact dealer

### Chain flail shortening

The side spreader chain flails can be shortened when they have lengthened due to wear on the links. As shown in Fig.1. Insert the bolt in the corner of link and tighten. The bolt should be positioned on the back side of the chain so it will be protected from stones etc. when the machine is operating.



Fig 1.



## 13

---

### Sales and Service

---

#### Ireland

##### Head office

Hi-Spec Engineering Ltd., Station Rd, Bagenalstown, Co. Carlow, Ireland

Tel: - +353 59 9721929 Fax: - +353 59 9721980

Email: - sales@hispec.net or info@hispec.net

##### After Sales Service

Contact: - Eoin Keane, Hi-Spec Engineering Ltd. Tel: - +353 87 2562963

Email: - eoin@hispec.net

##### Machine Servicing

Contact: - Michael Brennan, Hi-Spec Engineering Ltd. Tel: - +353 87 2403312

##### Spare Parts Store

Contact: Mike Nolan or Terence Byrne, Hi-Spec Engineering Ltd.

Tel: - +353 59 9721929 Fax: - +353 59 9721980

Email: - stores@hispec.net

#### U.K.

##### After Sales service:

##### Southern England & Wales

Contact: - Edward Lewis, Hi-Spec Engineering Ltd. Tel: - +44 7876 452698

Email: - elewis@hispec.net

##### Northern England & Scotland

Contact: - Gordon Brodie, Hi-Spec Engineering Ltd. Tel: - +44 7799 905130

Email: - gordon@hispec.net

##### For spare parts

Contact: - Your local Hi-Spec dealer. If you require a contact name and number you can telephone head office and we would be glad to assist you.

---

## Warranty

---

The following is a list of warranty terms. Warranty claims will be disallowed if they do not fall into the categories shown here.

### Warranty Terms

#### 1 Year Warranty on:

- Drive System
- Bearings
- Manufacturing defects ..... Subject to conditions of sale

#### NO Warranty on the following:

- PTO Shafts
- Hydraulic fittings
- Hydraulic hoses
- Chains, Flails and Heads

#### NO Warranty allowed for breakdowns due to:

- Misuse of the machine, e.g. overloading by the operator
- Lack of maintenance, e.g. failure to carry out regular oiling and greasing of components and bearings where appropriate

---

## Conditions of Sale

---

### General

In these conditions the word “Company” means Hi-Spec Engineering Limited. The word “dealer” means a customer of Hi-Spec Engineering Ltd. Purchasing machines from them for resale at recommended retail prices and the word “first user” means the first person to whom the dealer sells any goods for actual use. The company’s employees may negotiate orders and issue quotations but an order is only binding on a company when it has acknowledged the order in writing on the company’s official acknowledgement forms.

Such acknowledgement and confirmation will only be given subject to these conditions of sale. The acceptance of delivery of the goods either at the dealer’s premises or those of the first user if delivered direct to the first user shall bind the dealer and the dealer shall only sell to the first user on conditions which incorporate the company’s warranty. If he fails to sell the dealer shall have no claim whatsoever against the company except insofar as the company will honour the warranty to the dealer and through him to the first user. The term goods where used means such articles as are invoiced by the company whether manufactured, imported, distributed or otherwise sold by them.

### Delivery

Should the company be prevented from delivering any goods owing to any lockout, strike, weather conditions, or other exceptional causes occurring either at their own premises, or elsewhere, then delivery shall be postponed until a reasonable time after the occurrence has ceased to cause delay, unless the parties shall mutually agree to the cancellation of the contract in respect of such goods.

### Cancellation of Orders

The only ground for acceptance of a cancellation of an order shall be the non-acceptance of these terms and conditions by the dealer and then only if

Within seven days of receiving notification of the terms and conditions the dealer notifies the company in writing of its non-acceptance.

The dealer pays the company any losses suffered included any carriage charges if these have been incurred.

### Delays

While every effort has been made to adhere to delivery dates or times quoted by the company, such dates or times given though given in good faith are mere estimates only. The company accepts no responsibility for delay in delivery or for the consequences of such delay however caused nor shall the dealer be entitled to reject goods thereof by reason.



#### Design

No responsibility is accepted for any deviation from drawings or from illustrations in catalogues, price lists, brochures or advertising material for discrepancies in weight, rated outputs. Performance from those mentioned here in which shall be treated as illustrative and approximate only.

#### Price

Any fluctuation in prices arising after the contract but before dispatch shall entail adjustment in the contract price and the price to be paid shall be fixed at the date of dispatch.

#### Damage, Shortage or Loss

The company do not accept any responsibility for any damage, shortage or loss in transit when goods are dispatched to instructions and where the transit is affected through a third party and not by the Company itself.

#### Conditions of Resale

The dealer shall only re-sell any of the company's products with the full and unaltered warranty that is issued with every machine invoiced by the company. If the dealer either through negligence or for any other cause fails to get the agreement of the first user to accept this warranty the dealer shall have no other recourse against the company except that contained in these conditions of sale and he dealer expressly agrees that in accepting delivery he has recourse in law against the company nor will he join the company as third or other party in any action which results against him from the resale of the company's products.

#### Liability

In no circumstances whatsoever shall the Company's liability (in contract, tort or otherwise) to a buyer under, out of or in connection with this contract or the goods supplied exceed the invoice price of the particular goods in regard to which component is made.



## Warranty

The Company warrants its products through the dealer and through the dealer to the first user. The dealer shall only re-sell the company's machines with the benefit of the company's warrants. The said warranty is as follows:

The company warrants, subject as hereinafter provided, that all new goods supplied by it shall be free from defects in material and workmanship, its liability under such warranty being limited to making good at a factory to be nominated by it, such parts or parts which shall within twelve calendar months from the date which the product was delivered new to the retail purchaser be returned to the company or its authorised representative which the company is satisfied on its examination of the part or parts to have been defective in material or workmanship provided that. All replaced parts shall become the property of the company.

The foregoing warranty does not extend to any product which shall have been repaired, altered, neglected or used in any way so as, in the judgement of the company (whose decision is final) may have adversely affected its stability or reliability, nor does this warranty apply to proprietary articles, accessories or parts not manufactured by the company but where any such warranty is given by the manufacturers of such articles, accessories or parts any benefits under such warranty will be passed on by the company.

The company will not be responsible for damage or loss caused by incorrect machine settings, ground speed or operation of the machine in unsuitable conditions and the company's decision as to the suitability of the condition shall be final. Fair wear and tear is excluded from any claim and no responsibility whatsoever is accepted for damage, which in the company's Opinion is caused by hazards of soil, stones or foreign objects.

The warranty is transferable to a second or subsequent owner (within the warranty period) subject to the company being notified in writing of this change of ownership.

Complaints referring to faulty or incomplete deliveries or to obvious faults must be notified to the dealer in writing within fourteen days after receipt of goods. In the absence of such notification delivery shall be considered as having been accepted as in good order and condition.

The company does not give any warranty in respect of its goods except therefore going Warranty which is given expressly in lieu of and excludes all other warranties and conditions expressed or implied whether under common law, Statute or otherwise and every form of liability for loss or damage direct or consequential or for any accidents resulting from defective material faulty workmanship or otherwise, is expressly excluded.

## Title of the Goods

The title in the goods shall not pass to the customer until the customer shall have discharged all sums due by the customer to the company at the date of the final handing over of the possessions of goods

## Interest

If the customer shall fail to pay any sum due in foot of this transaction within fourteen days after the same shall become due, the customer shall pay interest thereon calculated from the due date of payment at the annual rate equal to 4% over the prime rate charged from time to time by the associated banks on secured loans to individual customers.

# 16

---

## Registration Forms

---



Hi-Spec Engineering Ltd.  
Station Rd., Bagenalstown,  
Co. Carlow, Ireland  
Tel: - 059 9721929  
Fax: - 059 9721980

Please complete the following forms in full.

The first is a warranty registration form; this form is issued in accordance with our conditions of sale and with particular reference to the condition governing warranty. We cannot process a claim unless all particulars are supplied.

The second is an acceptance form, which the purchaser is asked to sign to acknowledge he/she has received a copy of the Operator manual and full training for the machine purchased.

Please do not sign if you have not received both of these.

### *Warranty Registration*

Date of Purchase: \_\_\_\_\_  
Purchaser's Name: \_\_\_\_\_  
Signature: \_\_\_\_\_  
Address: \_\_\_\_\_  
Phone: \_\_\_\_\_  
Dealer's Name: \_\_\_\_\_  
Signature: \_\_\_\_\_  
Address: \_\_\_\_\_  
Phone: \_\_\_\_\_  
Machine Type: \_\_\_\_\_  
Machine Model: \_\_\_\_\_  
Serial Number: \_\_\_\_\_

### *Training & Operator Manual Registration*

Please sign the following declaration to state that on the day you (the purchaser) purchased a Hi-Spec Side Spreader you received an operator manual and training instructions.

I, the purchaser have received my Hi-Spec Side Spreader Operator Manual and training from the below dealer

Purchaser:	Signature:
Date:	
Dealer:	Signature:



Date:

*This copy is to be kept in your manual for your reference.*



---

## Registration Forms

---



Hi-Spec Engineering Ltd.  
Station Rd., Bagenalstown,  
Co. Carlow, Ireland  
Tel: - 059 9721929  
Fax: - 059 9721980

Please complete the following forms in full.

The first is a warranty registration form; this form is issued in accordance with our conditions of sale and with particular reference to the condition governing warranty. We cannot process a claim unless all particulars are supplied.

The second is an acceptance form, which the purchaser is asked to sign to acknowledge he/she has received a copy of the Operator manual and full training for the machine purchased.

Please do not sign if you have not received both of these.

### *Warranty Registration*

Date of Purchase: \_\_\_\_\_  
Purchaser's Name: \_\_\_\_\_  
Signature: \_\_\_\_\_  
Address: \_\_\_\_\_  
Phone: \_\_\_\_\_  
Dealer's Name: \_\_\_\_\_  
Signature: \_\_\_\_\_  
Address: \_\_\_\_\_  
Phone: \_\_\_\_\_  
Machine Type: \_\_\_\_\_  
Machine Model: \_\_\_\_\_  
Serial Number: \_\_\_\_\_

### *Training & Operator Manual Registration*

Please sign the following declaration to state that on the day you (the purchaser) purchased a Hi-Spec Side Spreader you received an operator manual and training instructions.

I the purchaser have received my Hi-Spec Side Spreader Operator Manual and training from the below dealer.

Purchaser: \_\_\_\_\_ Signature: \_\_\_\_\_  
Date: \_\_\_\_\_  
Dealer: \_\_\_\_\_ Signature: \_\_\_\_\_  
Date: \_\_\_\_\_

*This copy is to be posted to Hi-Spec Engineering or given to your dealer*



# 18

---

## Declaration of Conformity

---

EC Machinery Directive  
2006/42/EC

We hereby certify that the machinery stipulated below complies with all relevant provisions of the EC Machinery Directive.

Modifications to the machine without prior approval from the undersigned will render this declaration null and void.

Machine Description and Function: Manure Spreader designed for use of transporting  
and spreading agricultural manure

Make: Hi-Spec

Model: 800 / 1000

Serial Number:

Manufacturer: Hi-Spec Engineering Ltd.

Address: Station Rd, Bagenalstown, Co. Carlow, Ireland

Technical file compiled by: Tommy Quirke, Coolcullen, Co. Kilkenny

Harmonised standards applied:

EN ISO 12100-1:2003, Safety of machinery Part 1: Basic terminology, methodology

EN ISO 12100-2:2003, Safety of machinery Part 2: Technical principles

EN ISO 4254-1:2005, Agricultural machinery -- Safety -- Part 1: General requirements

BS EN 690:1995, Agricultural machinery, Manure spreaders, Safety

Signed: \_\_\_\_\_

Date: 22<sup>nd</sup> May 2018

Name: Mike Nolan

Position: Managing Director

Being the responsible person appointed by the manufacturer.

Hi-Spec Engineering reserve the right to make changes and improvements at any time without incurring any obligation to make such changes on products previously sold.